

# Loop powered panelmeter SP 4824

4 ... 20mA LED Display

## Features

- Display LED 7.6mm red
- Free adjustable indicating range  
-1999 ... +1999 digit
- Decimal point switch selectable
- Conversion rate 3/s or 0.5/s
- 20-turn trim potis for adjustment
- Plug-in screw terminals
- Panel case and field case



Panel case 48x24mm



Field case

## General information

Loop powered panelmeter SP4824 can be used for indicating and measurement applications in process technology and automation. The small case is suitable for installation in control units and panel boards. The input allows indication of any physical dimension, which are stated in a signal of 4...20mA.

## Short information

Display characteristic : units are available for increasing or decreasing display

Conversion rate : switch selectable from 3 to 0.5 per second

## Technical data

### Input

Current input	: 4 ... 20mA
Overload range	: -100 ... 150mA
Voltage drop	: 2.5 ... 3.1V (depends on chosen display brightness)

### Accuracy

	: < 0.1% +/- 1 digit
Temperature coefficient	: < 50ppm/K
CE-conformity	: EN55022; IEC1000-4-2/4
Working temperature	: -10 ... +60°C

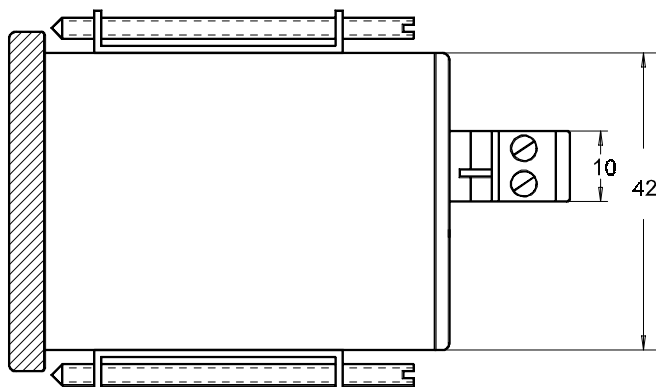
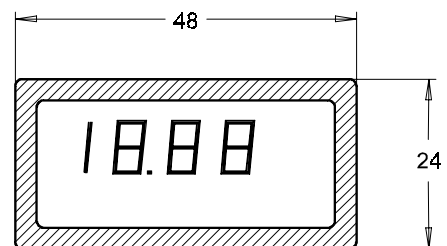
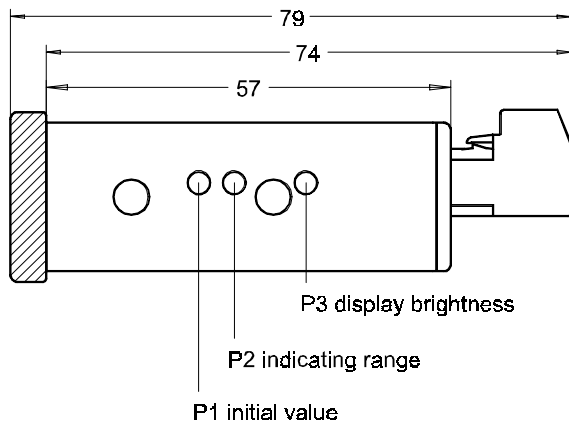
### Display

	: 3½ -digit 7.6mm red
Range	: -1999 ... 1999
Initial value	: adjustable -100 ... +25% of the range
Span	: adjustable 0 ... 3999 digit
Decimal point selection	: switch selectable
Brightness	: adjustable 50 ... 100%
Conversion rate	: switch selectable from 3/s to 0.5/s
Overflow indicator	: "-1" for neg. and "1" for pos. overflow

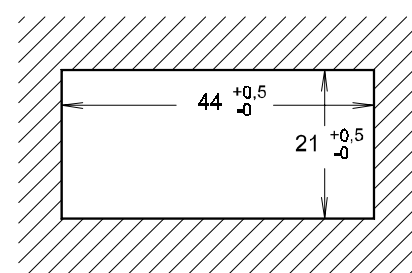
### Case

	: slide-in unit acc. to DIN 43700 of Noryl GFN 2 SE 1
Weight	: 0.05kg
Connection	: plug-in screw terminals , max.1.5mm <sup>2</sup> ,wire
Protection	: front IP54 (IP65 optional), terminals IP20, finger safe acc. German VBG4

## Dimensions standard case DIN48x24mm

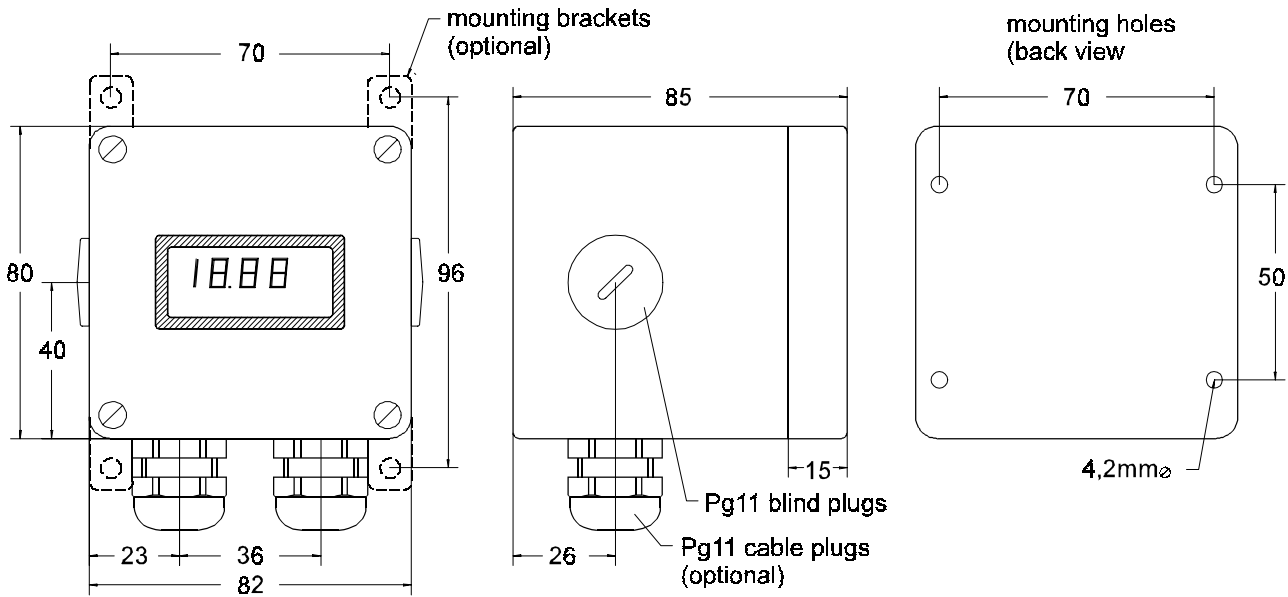


Panel cut - out



Wall thickness max. 5mm  
min. 6mm space on both sides for mounting

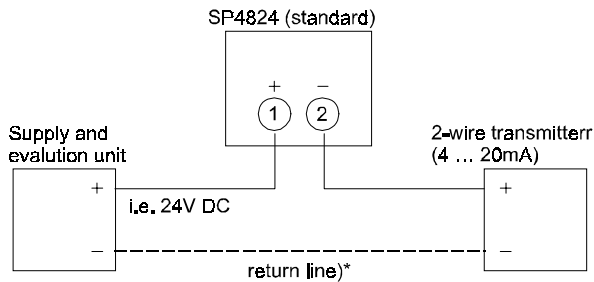
## Dimensions field case



## Connection diagram

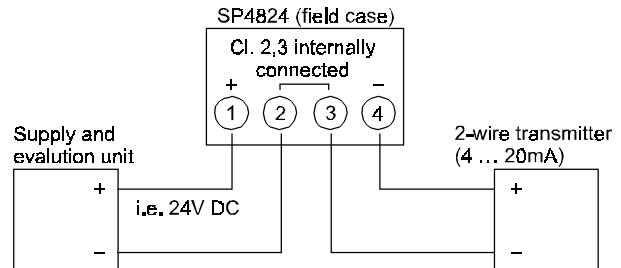
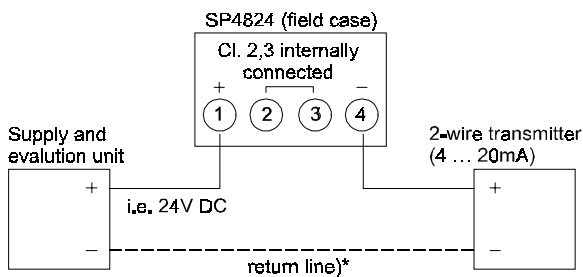
**SP4824 (standard):** single wire connection

\*) the SP4824 can be installed to the return line as well

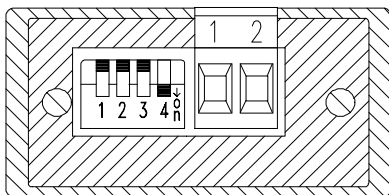


**SP4824 field case:** single wire connection

**double wire cable connection**



## Back view



**DIP-switch**

S1 on: 1000

S2 on: 1000

S3 on: 1000

S4 on: conversion rate 3/s  
off: conversion rate 0,5/s

## Adjustment

Display initial value =0

1. Input current 4mA, adjust display 000 with P1
2. Input current 20mA, adjust span with P2

Display initial value ≠0

1. Input current 4mA, adjust display 000 with P1.
2. Input current 12mA, adjust display to 1/2 of the span with P2.

*Example:*

*indication range -100 ... +200 ⇒ span = 300 digit*

*1/2 span = 150 digit*

3. Input current 4mA, adjust display to initial value with P1.

## Order code

<b>SP4824</b> - <input type="text"/> <sup>1.</sup> - <input type="text"/> <sup>2.</sup> - <input type="text"/> <sup>3.</sup> - <input type="text"/> <sup>4.</sup>
---

1.

<b>Case</b>
1 : DIN48x24 panel case (standard) 2 : Field case, 80x80x60mm 4 blind plugs PG11 included

3.

<b>Protection (front)</b>
1 : IP54 (standard) 2 : IP65

2.

<b>Display characteristic</b>
S : Increasing (standard) F : Decreasing

4.

<b>Unity dimension on the face plate</b>
e.g °C, °F, hPa, kg, mv, mA ....



SP4824 is also available as a intrinsic safety type (Eex ia II CT6)