

BCD Panelmeter BCD 4824 / BCD 7224,

BCD parallel input

Features

- LED display red or green
- 3-digit display BCD4824
5-digit display BCD7224
- Display LED, 10 or 14.2mm
- Input level 0/24VDC or
0/5V TTL (optional)
- Supply voltage 10 ... 30V DC
- Front protection IP54 or IP65 (optional)



BCD4824



BCD7224

General information

Digital panelmeter BCD4824 and BCD7224 are for monitoring and measurement applications. The small cases are suitable for installation in control units and panel boards.

Short information

Connection plu-gin connector with soldering contact, or adapter-cable (optional)

Display codes
(each digit)

BCD-code	display
0000 ... 1001	0 ... 9
1010	-
1011	<i>E</i>
1100	<i>H</i>
1101	<i>L</i>
1110	<i>P</i>
1111	non

Technical data

Power Supply

Supply voltage	: 10 ... 30V DC
Current consumption	: max. 55mA (BCD4824); max. 95mA (BCD7224)
Working temperature	: -10 ... +60°C
CE - conformity	: EN50022, IEC1000-4-2/4

Display

BCD4824	: 3-digit
BCD7224	: 5-digit
Display height	: 10mm or 14.2mm
Decimal selection	: control input for each point
Display colour	: red or green

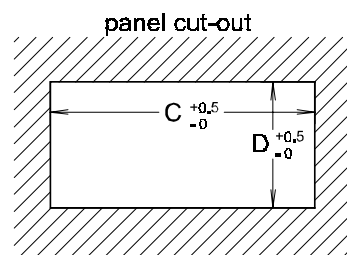
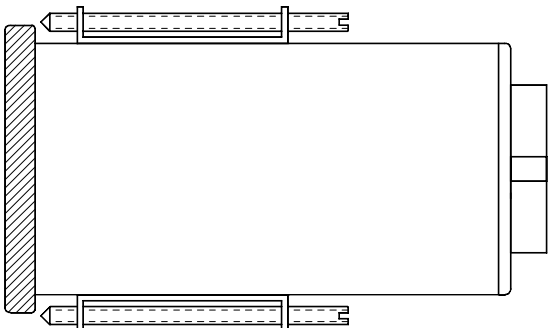
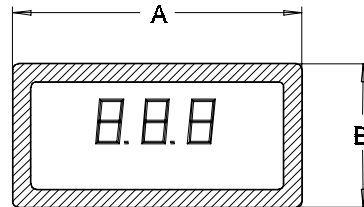
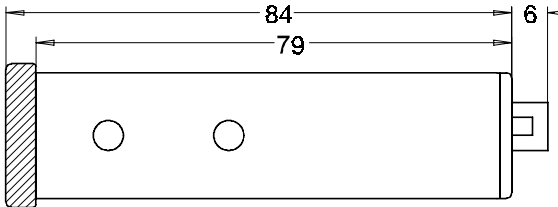
Control input

Voltage level	: low signal 0 ... 3V DC, high signal 10 ... 30V DC 5V TTL - level (optional)
Input resistance	: approx. 5kΩ

Case

Weight	: approx. 60g (BCD4824) approx. 100g (BCD7224)
Connection	: plug-in connector, 16pol.(BCD4824); 26pol.(BCD7224)
Front protection	: IP 54 , IP 65 (optional)

Dimensions



wall thickness max. 5mm
mounting space at side min. 5mm

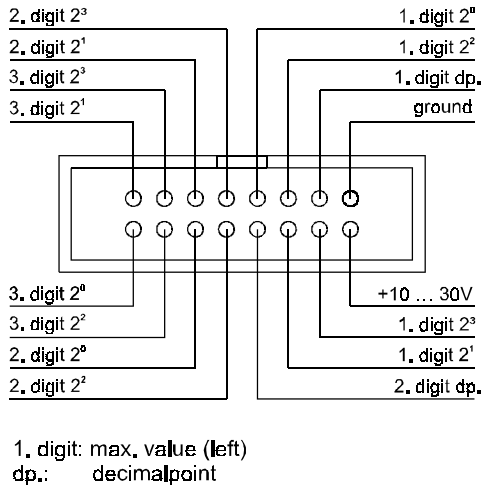
	A	B	C	D
BCD 4824	46	24	44	21
BCD 7224	72	24	68	21

dimension [mm]

Connection diagram

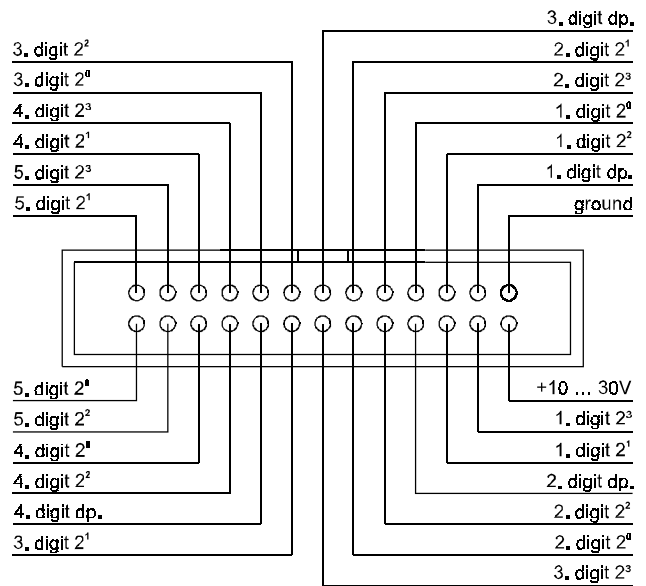
BCD4824 (16pol.)

Plugin connector (back view)



BCD7224 (26pol.)

Plugin connector (back view)



Adapter-cable AK16K

input	wire (color)
+10 ... 30V DC	brown
ground	white
1. digit 2 ⁰	blue
1. digit 2 ¹	pink
1. digit 2 ²	grey
1. digit 2 ³	yellow
1. digit dp.	green
2. digit 2 ⁰	red-blue
2. digit 2 ¹	grey-pink
2. digit 2 ²	violet
2. digit 2 ³	black
2. digit dp.	red
3. digit 2 ⁰	yellow-brown
3. digit 2 ¹	white-yellow
3. digit 2 ²	brown-green
3. digit 2 ³	white-green

Adapter-cable AK26K

input	wire (color)
+10 ... 30V DC	brown
ground	white
1. digit 2 ⁰	blue
1. digit 2 ¹	pink
1. digit 2 ²	grey
1. digit 2 ³	yellow
1. digit dp.	green
2. digit 2 ⁰	red-blue
2. digit 2 ¹	grey-pink
2. digit 2 ²	violet
2. digit 2 ³	black
2. digit dp.	red
3. digit 2 ⁰	white-grey
3. digit 2 ¹	yellow-brown
3. digit 2 ²	white-yellow
3. digit 2 ³	brown-green
3. digit dp.	white-green
4. digit 2 ⁰	brown-blue
4. digit 2 ¹	white-blue
4. digit 2 ²	pink-brown
4. digit 2 ³	white-pink
4. digit dp.	grey-brown
5. digit 2 ⁰	brown-black
5. digit 2 ¹	white-black
5. digit 2 ²	brown-red
5. digit 2 ³	white-red

Order code

BCD	- ^{1.} <input style="width: 40px; height: 20px;" type="text"/>	- ^{2.} <input style="width: 40px; height: 20px;" type="text"/>	- ^{3.} <input style="width: 40px; height: 20px;" type="text"/>	- ^{4.} <input style="width: 40px; height: 20px;" type="text"/>	- ^{5.} <input style="width: 40px; height: 20px;" type="text"/>	- ^{6.} <input style="width: 40px; height: 20px;" type="text"/>
------------	---	---	---	---	---	---

1.

Type
4824: DIN 48x24mm; 3-digit display 7224: DIN 72x24mm; 5-digit display

3.

Input (voltage level)
1: 0 ... 3V DC low 10 ... 30V DC high (standard) 2: 5V TTL-level

2.

Display
1: LED 10mm red 2: LED 10mm green 3: LED 14.2mm red 4: LED 14.2mm green

4.

Front protection
1: IP54 (standard) 2: IP65

3.

Supply voltage
5: 10 ... 30V DC 7: 5V DC

5.

Unit (only with display 10mm)
E.g °C, °F, hPa, kg, mA (other dimension on request)

Accessories

Order code

- AK16K-AE adapter-cable 16x0.25mm² (BCD4824)
2. end with open wire; cable length 3000mm
- AK26K-AE adapter-cable 26x0.25mm² (BCD7224)
2. end with open wire; cable length 3000mm